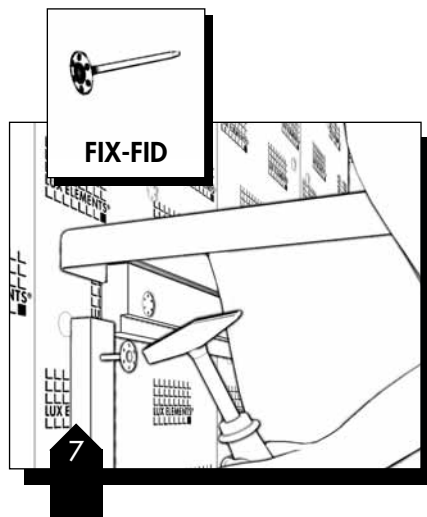
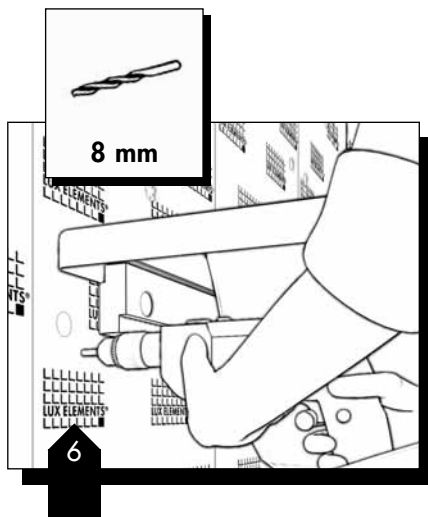
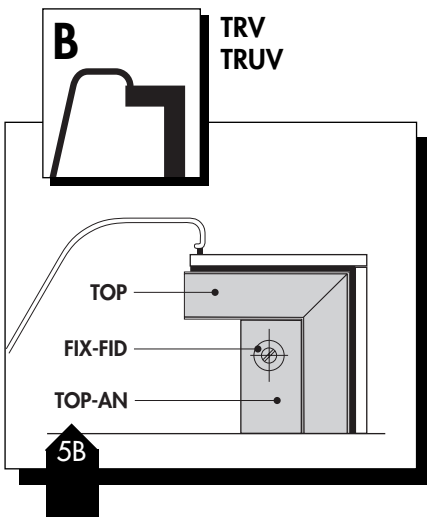
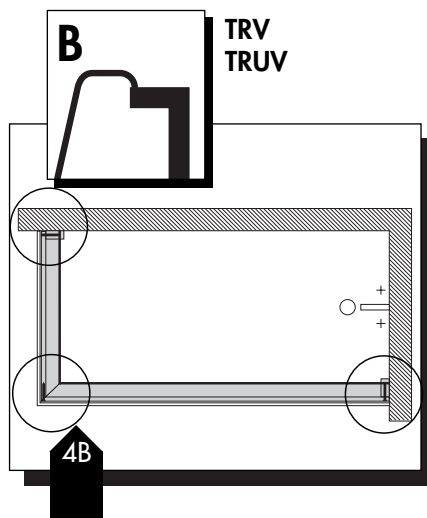
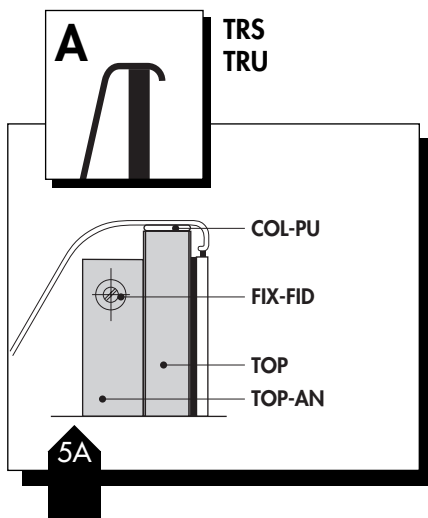
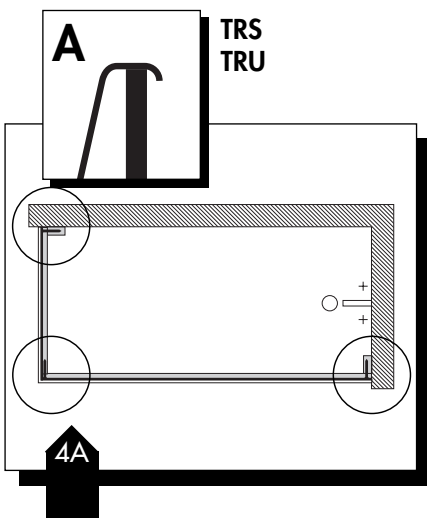
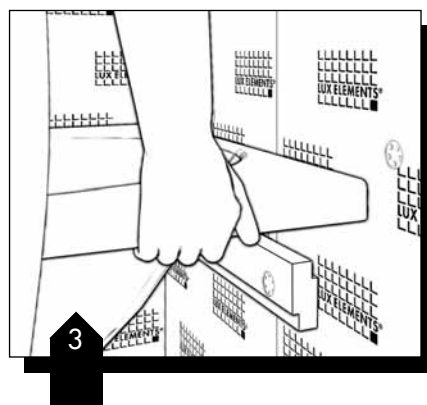
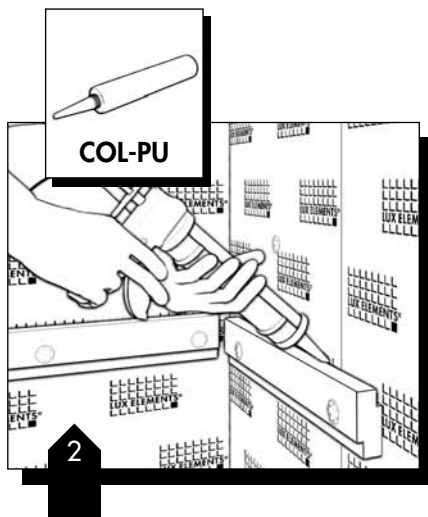
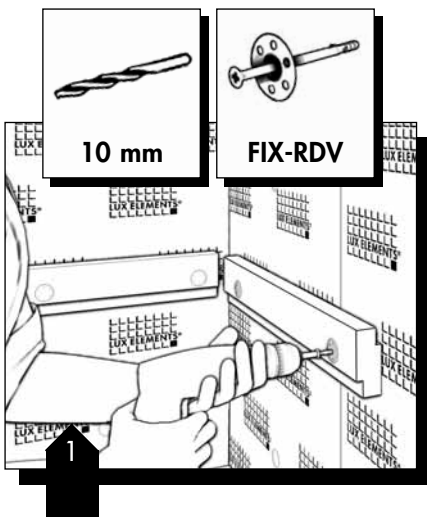
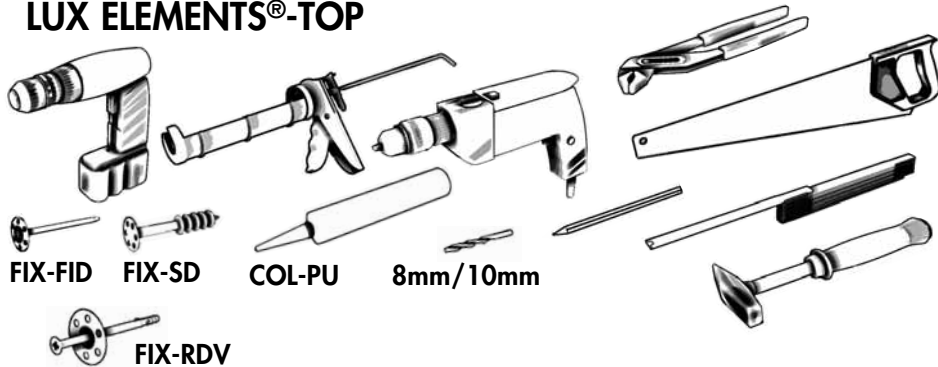
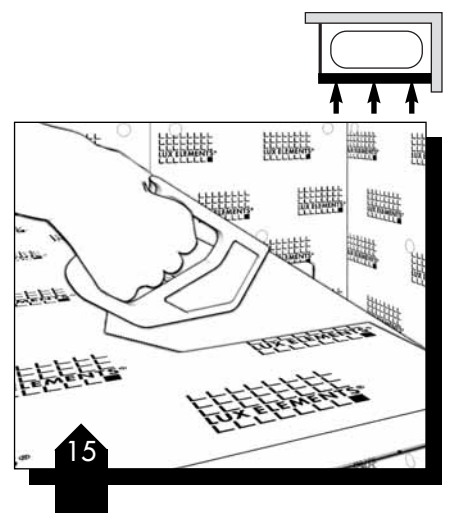
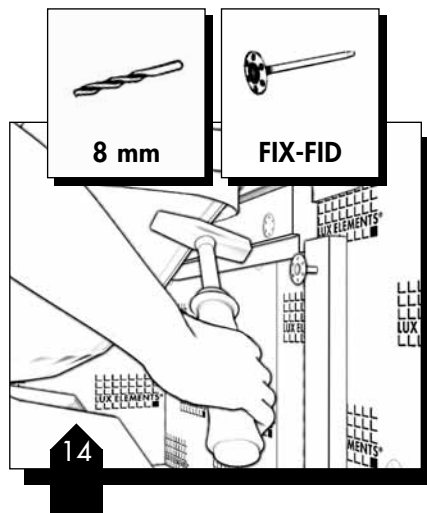
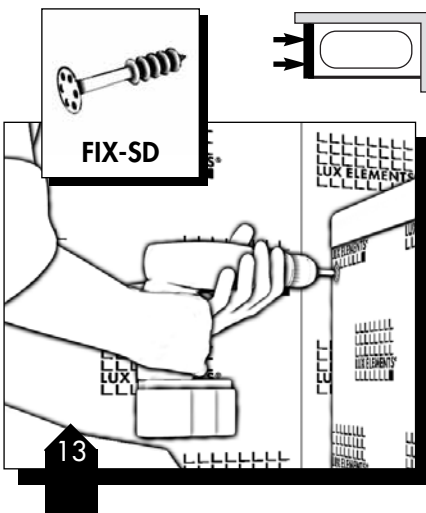
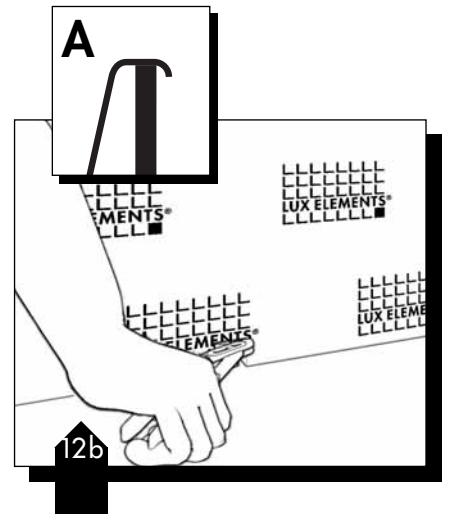
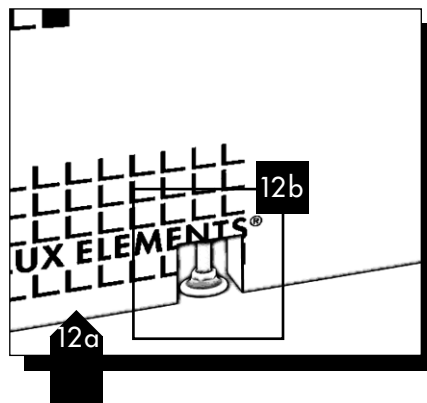
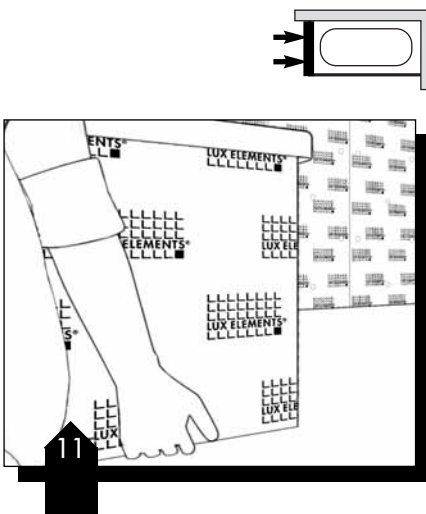
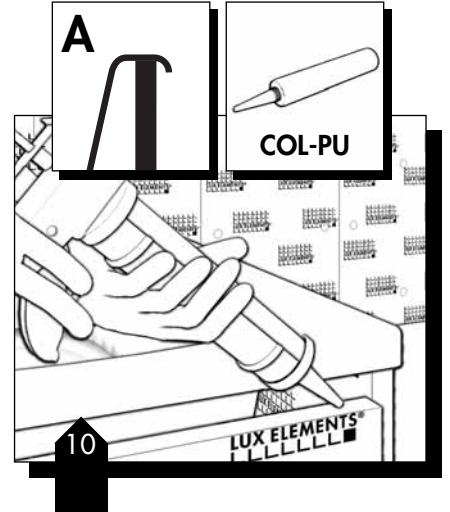
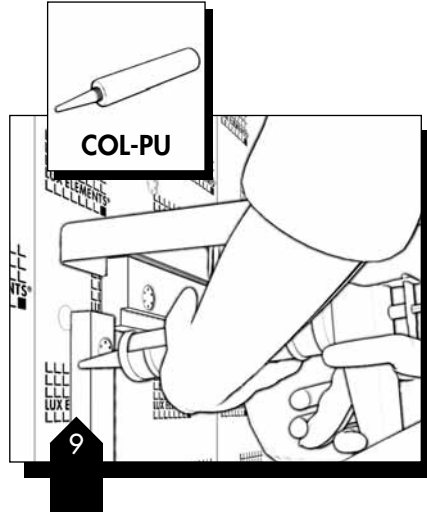
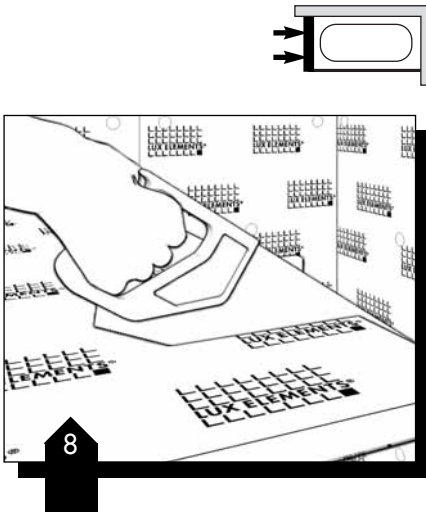
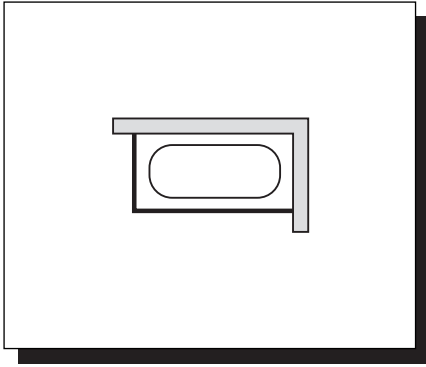


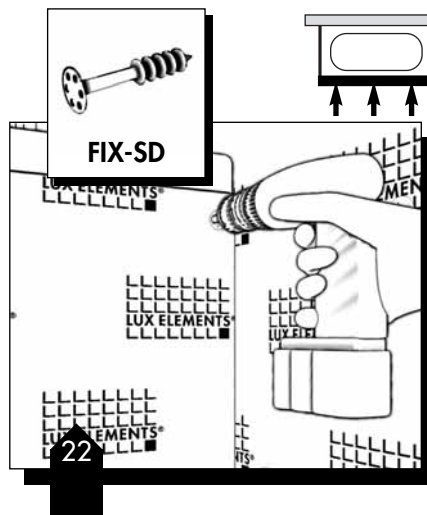
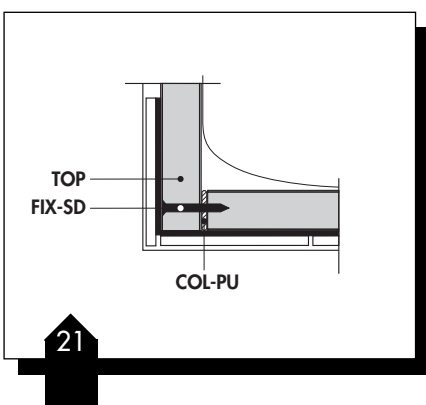
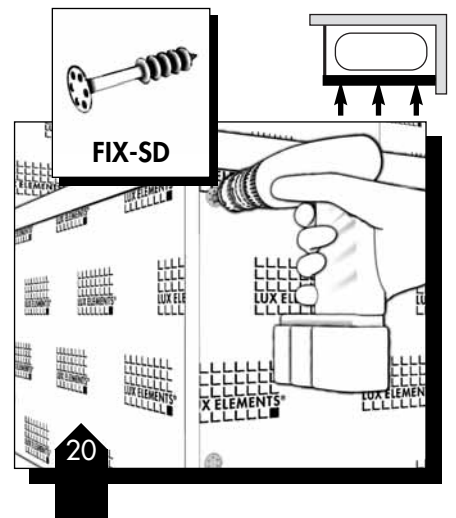
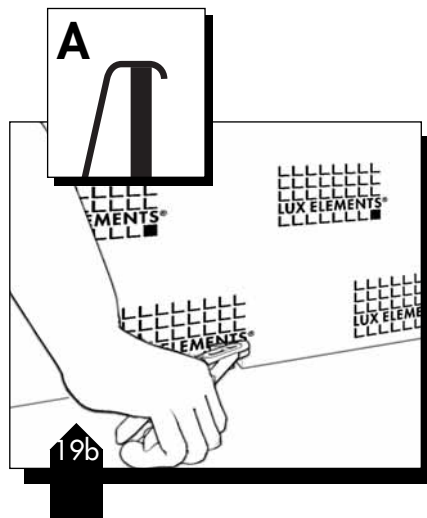
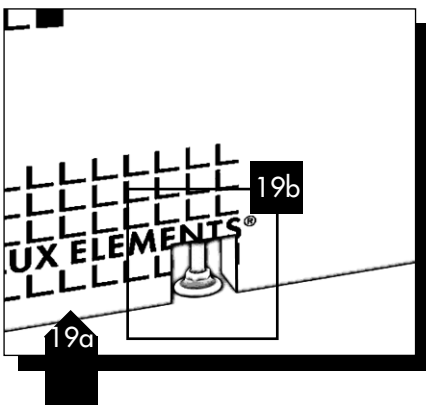
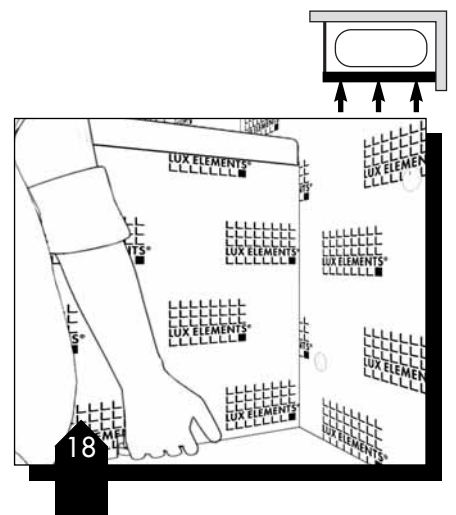
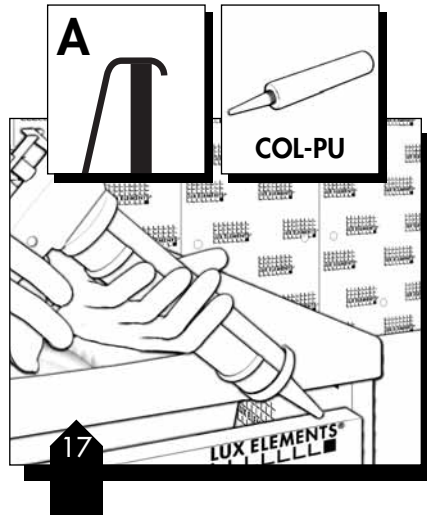
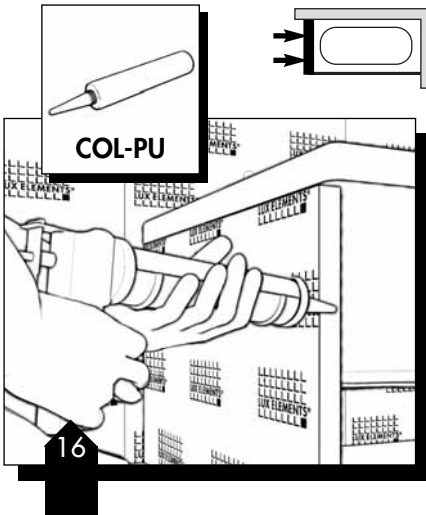
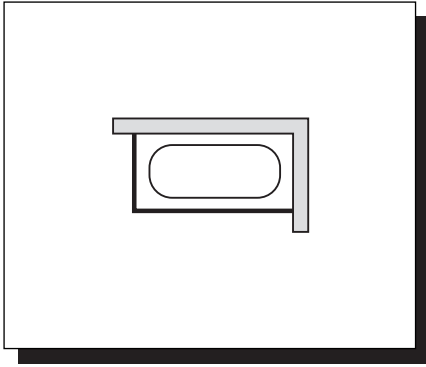
LUX ELEMENTS®-TOP



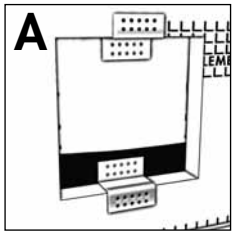
LUX ELEMENTS®-TOP



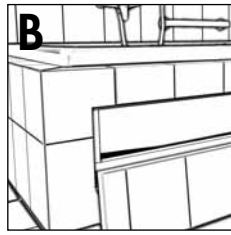
LUX ELEMENTS®-TOP



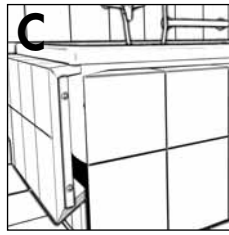
LUX ELEMENTS®-TOP



A
MONT-TOPREV

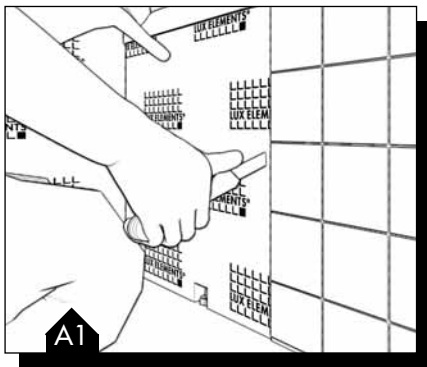


B
TOP-REVR

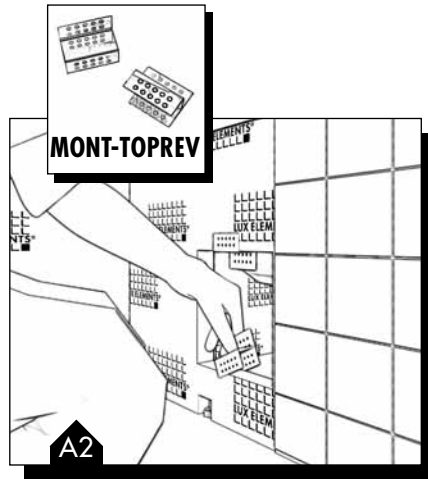


C
TOP-REVS

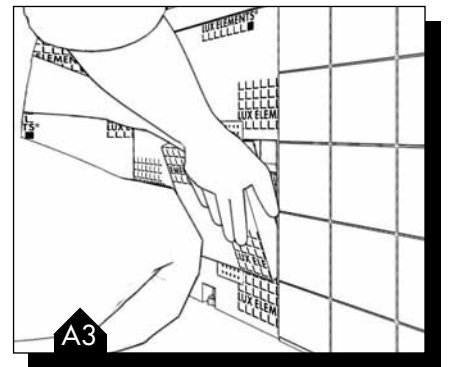
A



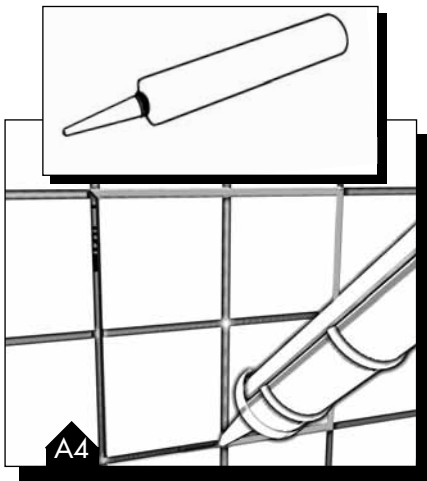
A1



A2

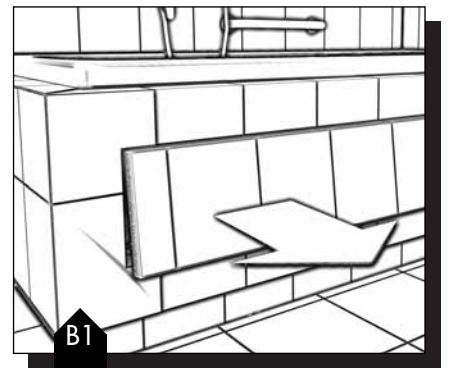


A3

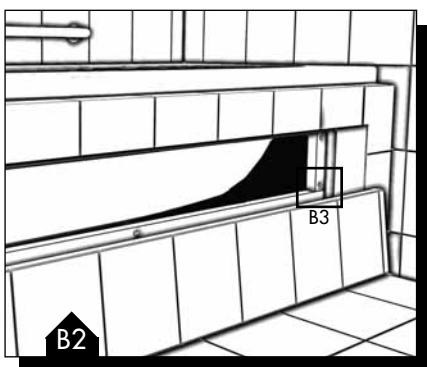


A4

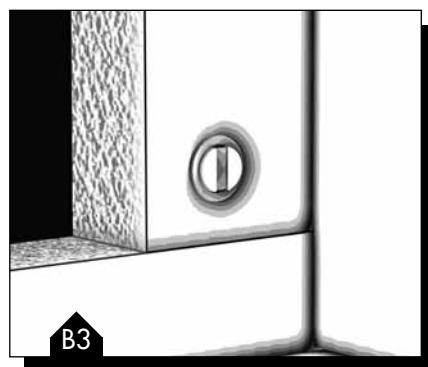
B



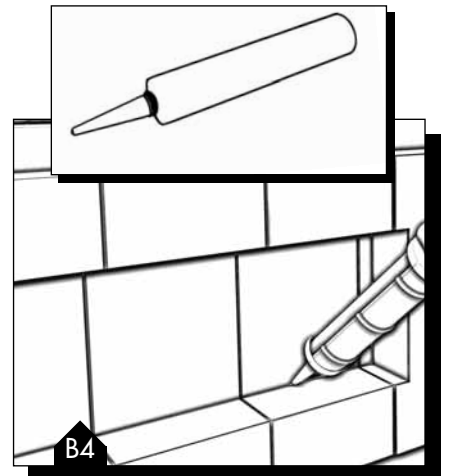
B1



B2



B3



B4

C

